

Lycalux 60 Watt Cree Bowlight



High Power, self cooled LED-fixture for replacement of HPL and Sodium Lights at height.

LED Armature for High Mounted Applications
like production floors, Warehouses etc.

Up to 70% saving compared to conventional lighting

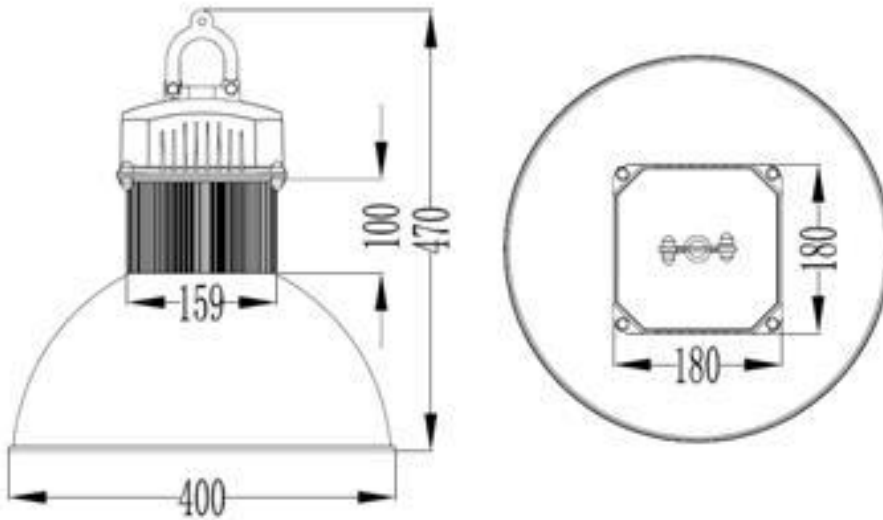
Easy installation

Available in different beamangles

High Quality stainless steel and Aluminium

Input Voltage:	AC100V-265V
Frequency:	47Hz--63Hz
Harmonic Dissortion:	≤15%
Power Factor:	>0.95
LED Working Voltage:	24-36Volts
Current:	1.8A
LED Usage:	58 W
Total Usage:	63 W
Lumen Efficiency:	~84 lm/W
Chip Brand :	CREE XP-E
Beamangle:	120 ° or 90 °
Color temperature:	3000-3500K, 4000-4500K,5500-6500K
Total lumen output:	4872 lumen
Light Distribution:	Round
Max. temperature:	≤44°C (Ambient 30 °C)
Min/max workingtemperature:	-35°C~+55°C
IP grade :	IP40
Lifespan:	50000Hrs
Connection:	Wieland
Material:	Aluminium + Stainless steel

Dimensions



Lightdistribution

